



The BLITZ Grid consists of a number of single laser units with one single-colored laser source, one or more power supply unit(s) and accessories (Remote box, LAPP patch connection cables etc.).

The single laser modules are flexibly applicable. It is possible to install them on the ceiling, on the wall or on truss and to daisy chain them in a horizontal and/or vertical line.

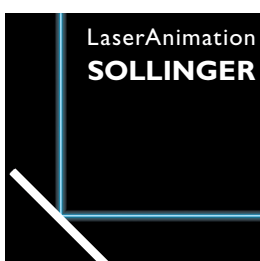
Each laser module generates a linear beam and all modules together form an impressive laser grid with their parallel laser beams.

Each laser unit can be individually controlled by DMX (dimming).

The supply unit delivers the necessary supply voltage and provides the DMX input. Several daisy chained laser modules can be operated on one power supply unit.

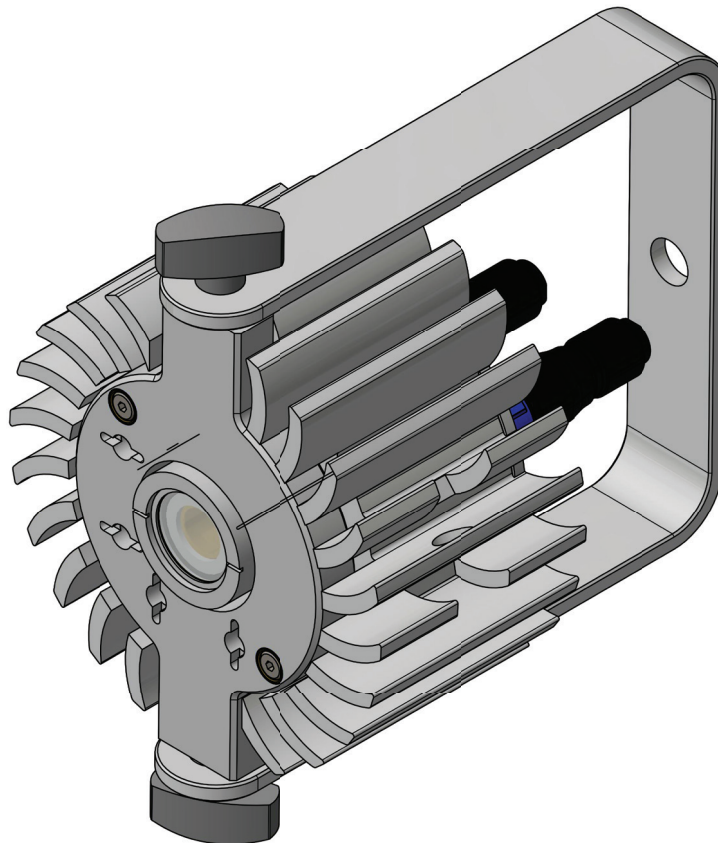
The Remote box contains the key switch as well as the E-stop button.

Number and design of the single components can be individually customized.



Technical specifications subject to change without prior notice!

Laser Module



Default Laser Sources

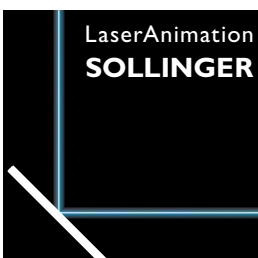
- Green laser diode: Wavelength 520 nm, laser output @ source 1000 mW
- Blue laser diode: Wavelength 445 nm - 450 nm, laser output @ source 1600 mW
- Type: CW PWM modulated, laser class 4

Laser diodes with or without beam shaping can be integrated.

- Beam parameters with beam shaping:
Divergence 0,25 mrad x 0,75 mrad, beam diameter 4,0 mm x 6,5 mm
- Beam parameters without beam shaping:
Divergence 0,25 mrad x 2,30 mrad, beam diameter 3,5 mm x 2,0 mm

Equipped with

- Dust and waterproof housing, protection type: IP 65
- Fine-thread screws for precise alignment (Tilt/Pan) of the laser beam
- Stable yoke for comfortable attachment
- Antireflex coated laser output window
- Waterproof as well as reverse polarity protected connectors for connection of the modules with each other



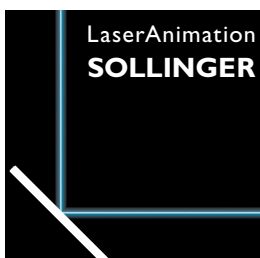
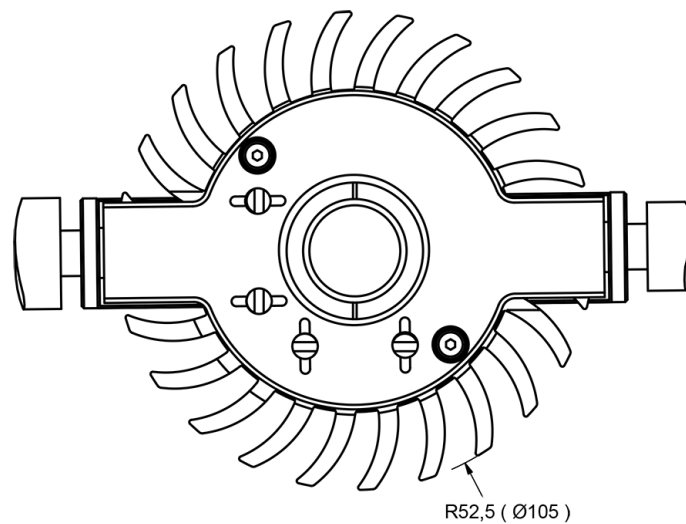
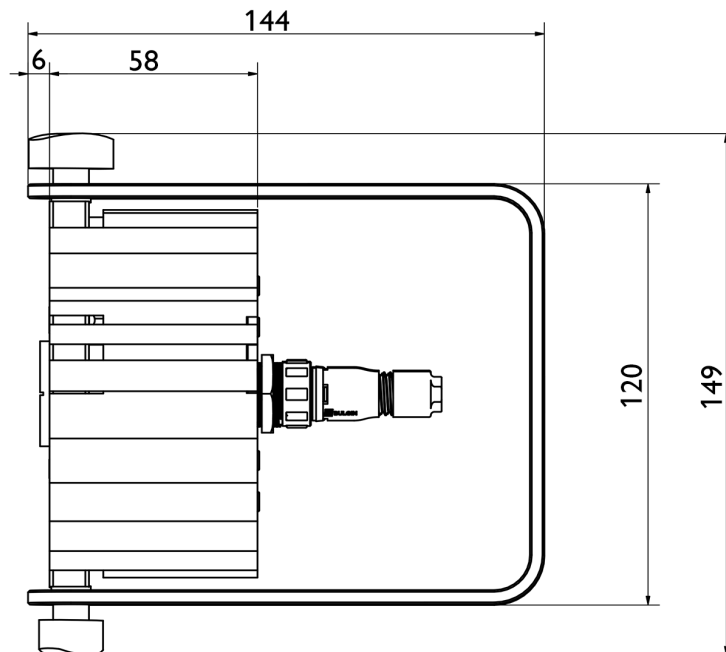
MADE
IN
GERMANY
used worldwide



Technical specifications subject to change without prior notice!

- Ambient Temperature**
- Maximum 50°C
 - Minimum - 5°C

- Physical**
- Weight: Approx. 1 kg
 - Material: Aluminum black anodized, other colors on request
 - Dimensions:



**MADE
IN
GERMANY**
used worldwide



Technical specifications subject to change without prior notice!

Supply Unit

The power supply provides the necessary supply voltage for all connected modules in one chain as well as the DMX interface for DMX control.

Additional it implements the central e-stop (Interlock) in connection with the Remote box.

The connection of daisy chained emergency stop systems is possible.

The number of daisy chained laser modules which can be supplied by one power supply depends on various factors, e.g. from the ambient temperature and the cable length. With short patch cables (length 3 m to 5 m) approx. 10 laser modules can be connected without problems.

Generally, the application of an additional power supply as booster is recommended. Due to power losses on the patch cables it is better to refresh the power line after a few modules. This keeps the output power constant on all connected modules.

Data lines and safety signals are directly supported inline but the booster unit is not equipped with a DMX interface.

Standardized Connectors

- AC mains connector powerCON TRUE1
- DMX IN: 5-pin male to connect a DMX signal source (not at the booster)
- IN: 6-pin male for connection of the Remote box
- OUT: 6-pin female to connect the first laser module of the chain

Electrical Input

- Universal input 85 VAC - 264 VAC, 50 – 60 Hz
- Power consumption: 12 W maximum per laser module

Remote Box

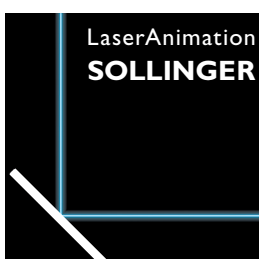
- Contains the key switch to switch the laser ON or OFF for all connected modules in a chain.
- Provides the E-stop button to stop the laser output for all connected laser modules in a chain.

Compliance

CE, CDRH ready

Warranty

12 months after delivery

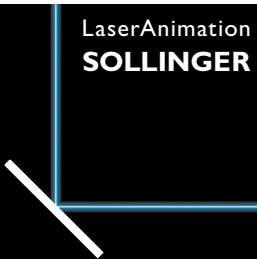
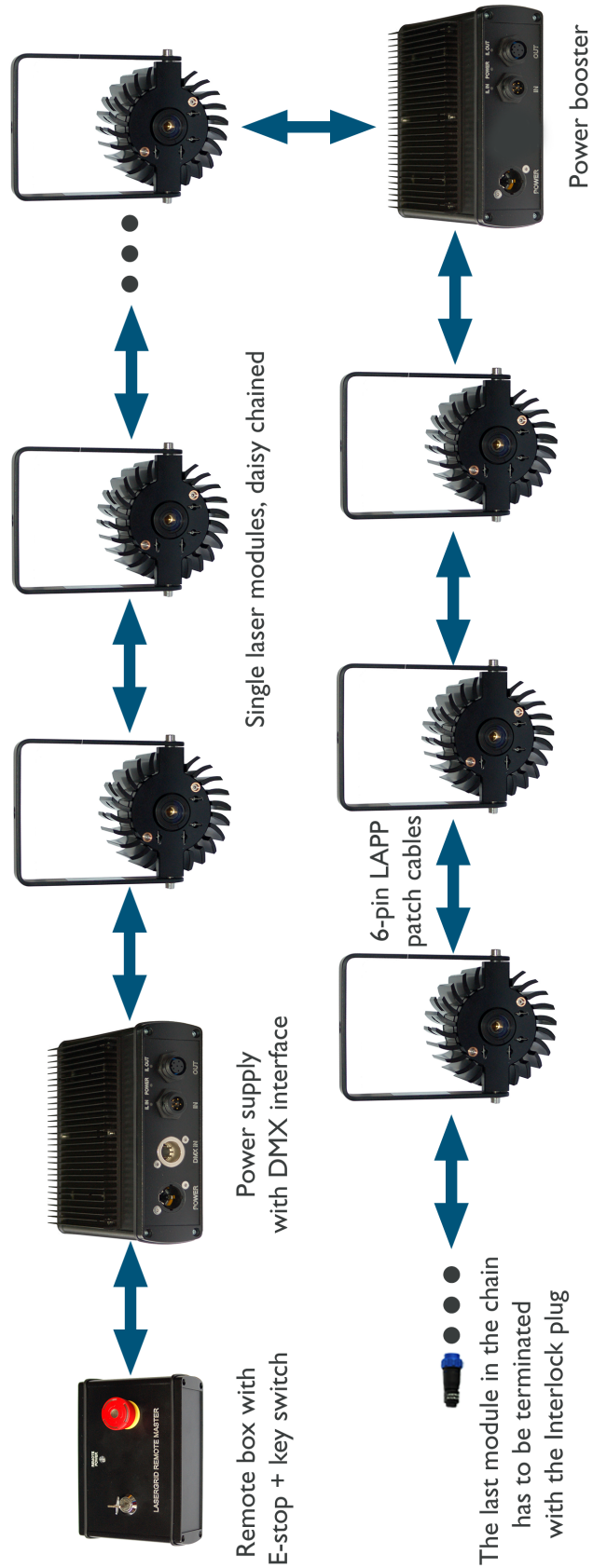


MADE
IN
GERMANY
used worldwide



Technical specifications subject to change without prior notice!

Possible Structure



Technical specifications subject to change without prior notice!